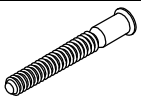
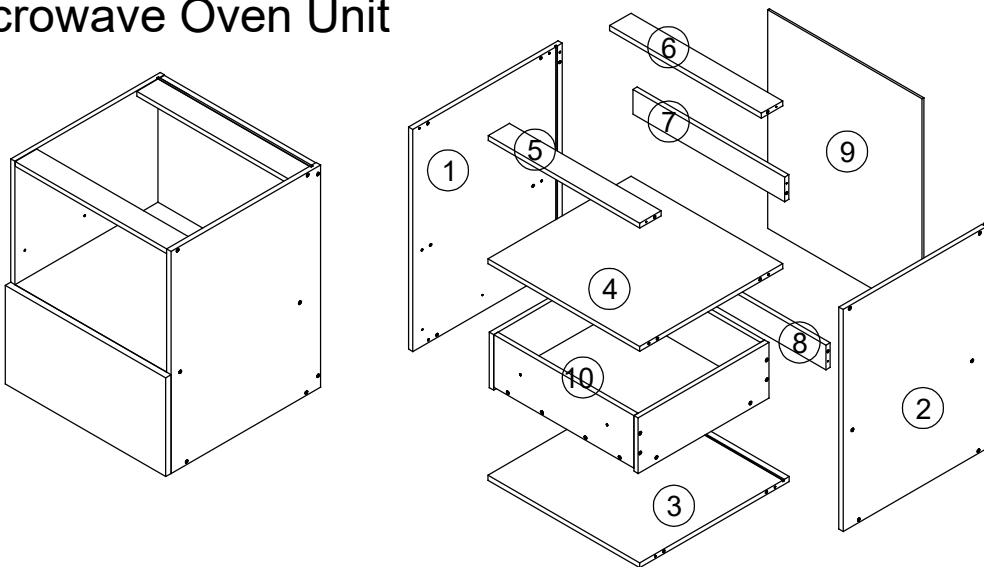
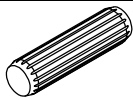


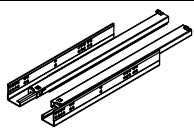
Base Microwave Oven Unit



A:16pcs
ø7x48mm



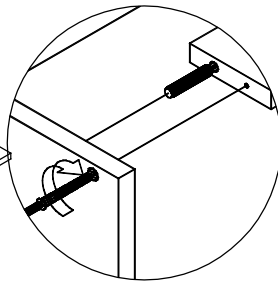
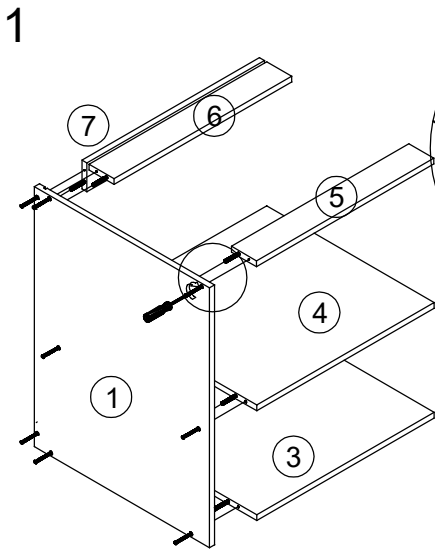
B:16pcs
ø8x40mm



C:1pcs



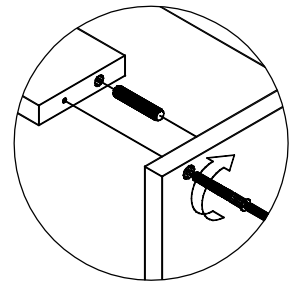
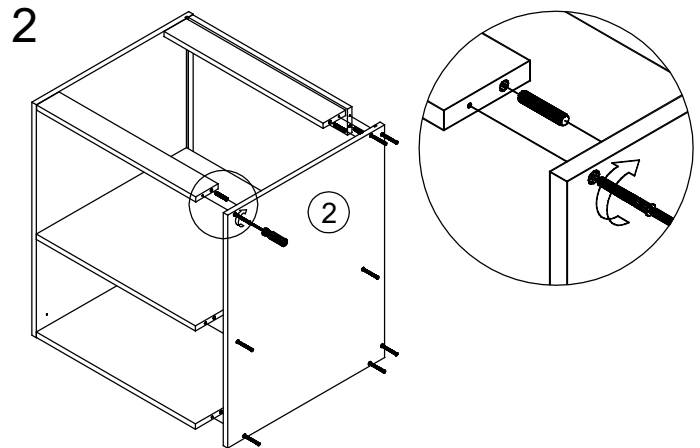
D:6pcs
ø4x16mm



A:8pcs



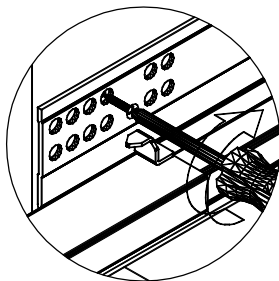
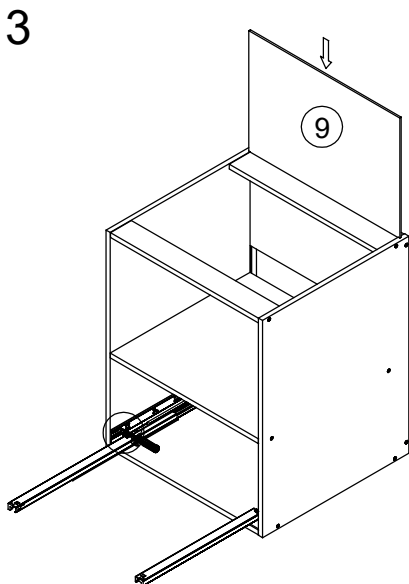
B:8pcs



A:8pcs



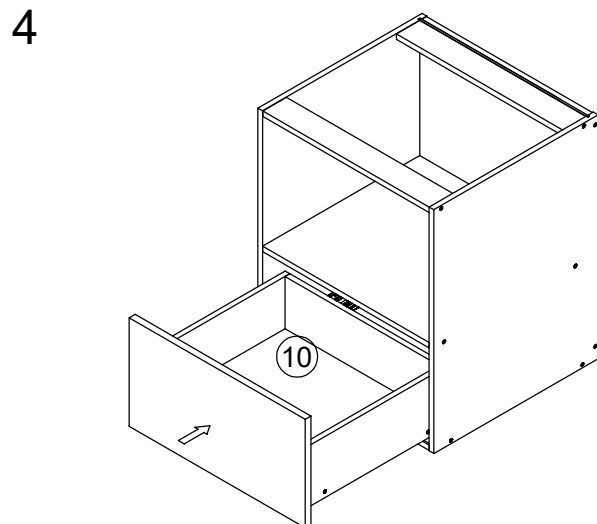
B:8pcs



C:1pcs

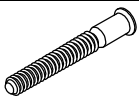
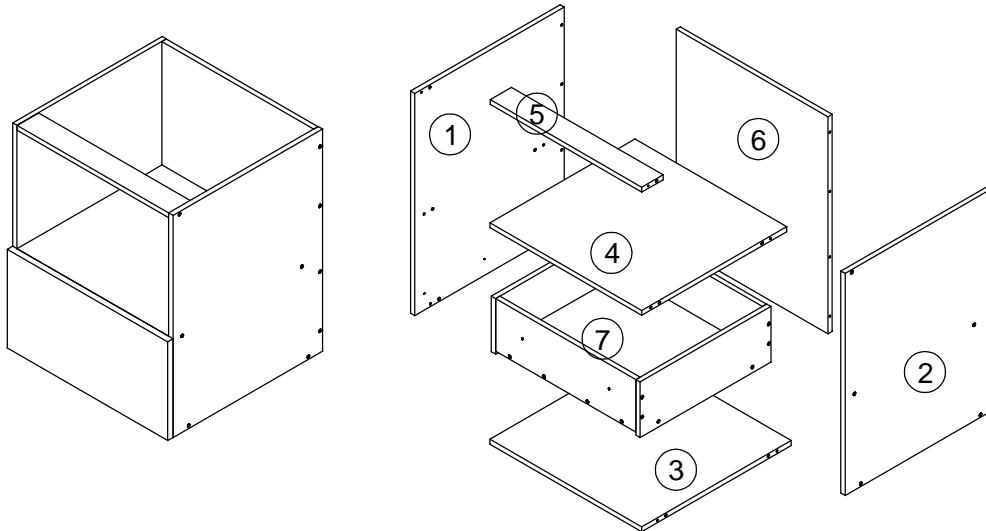


D:6pcs

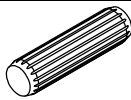


After installing the cabinet, install the drawer box according to the installation instructions of the drawer.

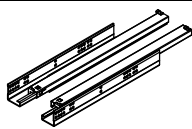
Base Microwave Oven Unit



A: 18 pcs
 $\phi 7 \times 48 \text{ mm}$



B: 10 pcs
 $\phi 8 \times 40 \text{ mm}$

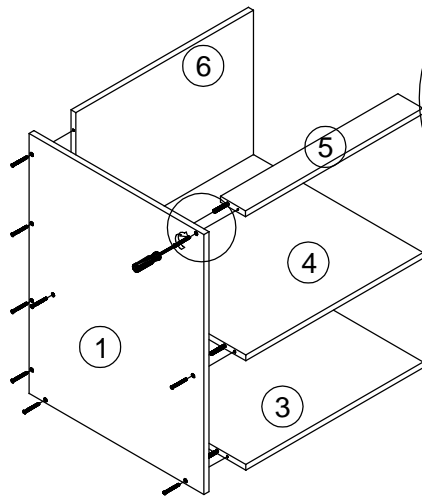


C: 1 pcs



D: 6 pcs
 $\phi 4 \times 16 \text{ mm}$

1



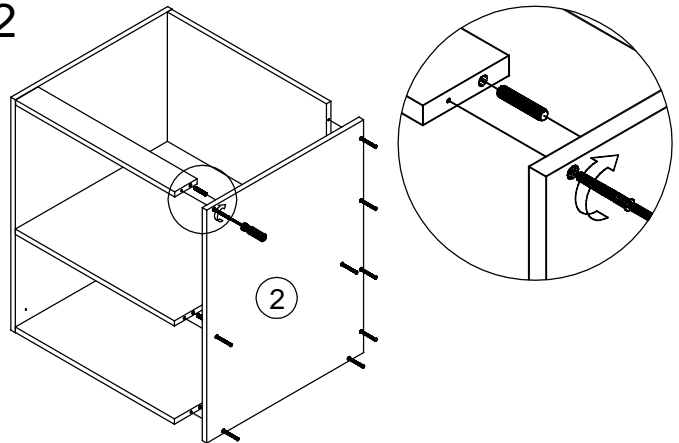
A: 9 pcs



B: 5 pcs



2



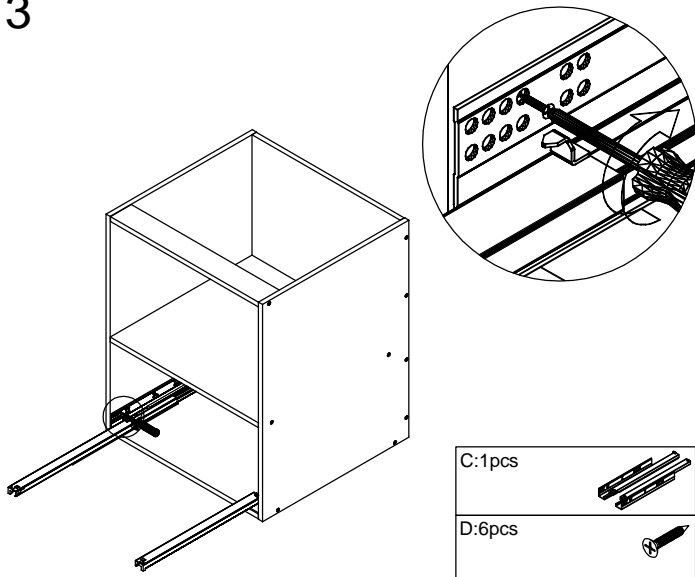
A: 9 pcs



B: 5 pcs



3



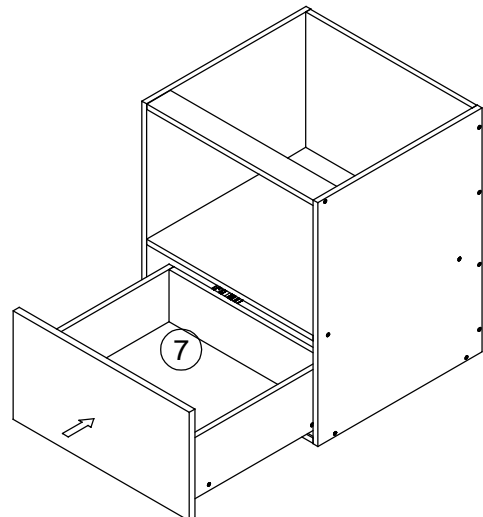
C: 1 pcs



D: 6 pcs



4



After installing the cabinet, install the drawer box according to the installation instructions of the drawer.